

SOLID CAUSTIC SODA MICROPEARLS


PACKAGING - 25 KG BAGS ON 1225 KG PALLET

DOC-1122-0011

Plant

Tavaux (France).

Polyethylene bag

Characteristic	Unit	Value	
Net unit weight	kg	25	
Tare	kg	0,10	
Width	cm	35	
Length	cm	50	
Height	cm	13	
Code designating the type of packaging	-	 5H4	Plastics film bags

Because bags are flexible, dimensions may only be considered as estimations.

On one-way wood pallet (4-way entry)

Characteristic	Unit	Value	
Tare	kg	25	
Width	cm	100	
Length	cm	120	
Height	cm	17	

Shrunked wrapped and lining films

Characteristic	Unit	Value	
Tare shrunked wrapped film	kg	0,45	
Tare lining	kg	0,30	

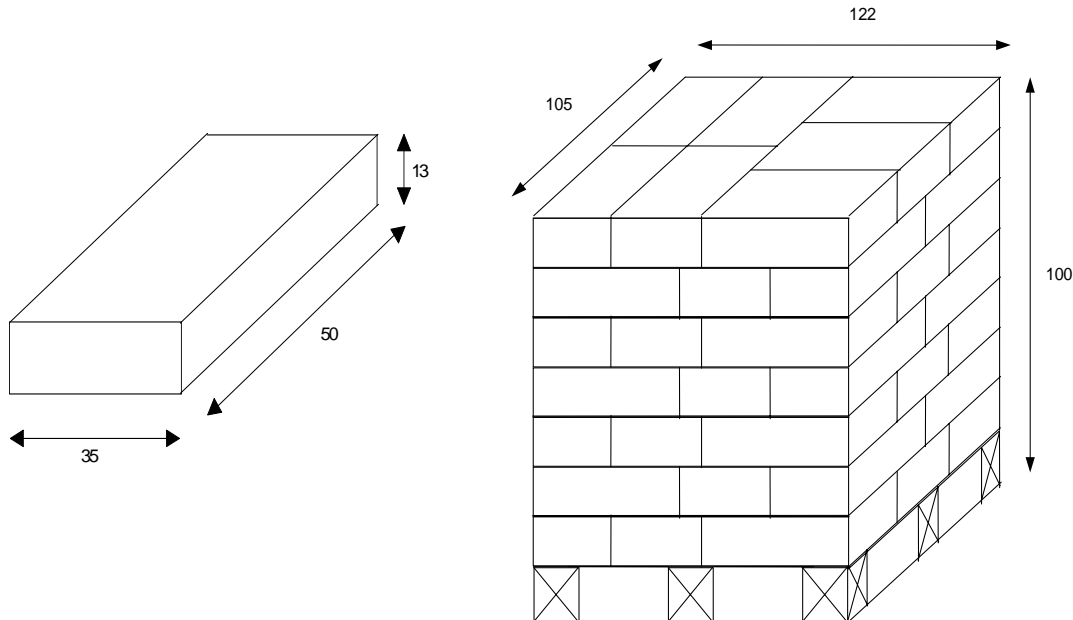
49 bags unit load (7 layers of 7 bags) on a pallet

Characteristic	Unit	Value	
Net weight	kg	1225	
Gross weight	kg	1260	
Width	cm	105	
Length	cm	122	
Height	cm	100	

Because bags are flexible, dimensions may only be considered as estimations.

SOLID CAUSTIC SODA MICROPEARLS

PACKAGING - 25 KG BAGS ON 1225 KG PALLET



Because bags are flexible, dimensions may only be considered as estimations.



SOLID CAUSTIC SODA MICROPEARLS

To our present knowledge, the information contained herein is accurate as of the date of this document. However, we do not make any warranty, express or implied, or accept any liability in connection with this information or its use. This information is for use by technically skilled persons at their own discretion and risk and does not relate to the use of this product in combination with any other substance or any other process. This is not a license under any patent or other proprietary right. The user alone must finally determine suitability of any information or material for any contemplated use, the manner of use in compliance with relevant legislations and whether any patents are infringed. We reserve our right to make additions, deletions, or modifications to the information at any time without prior notification.

Solvay Chemicals International SA
 Rue du Prince Albert 44
 B - 1050 Brussels
 Brussels, RPM 0406804736
 +32 2 509 61 11
www.solvaychemicals.com
 DOC-1122-0011-W-EN (WW)
 Issue 4 - April 2007

Solvay Chemicals
 International



a Passion for Progress®